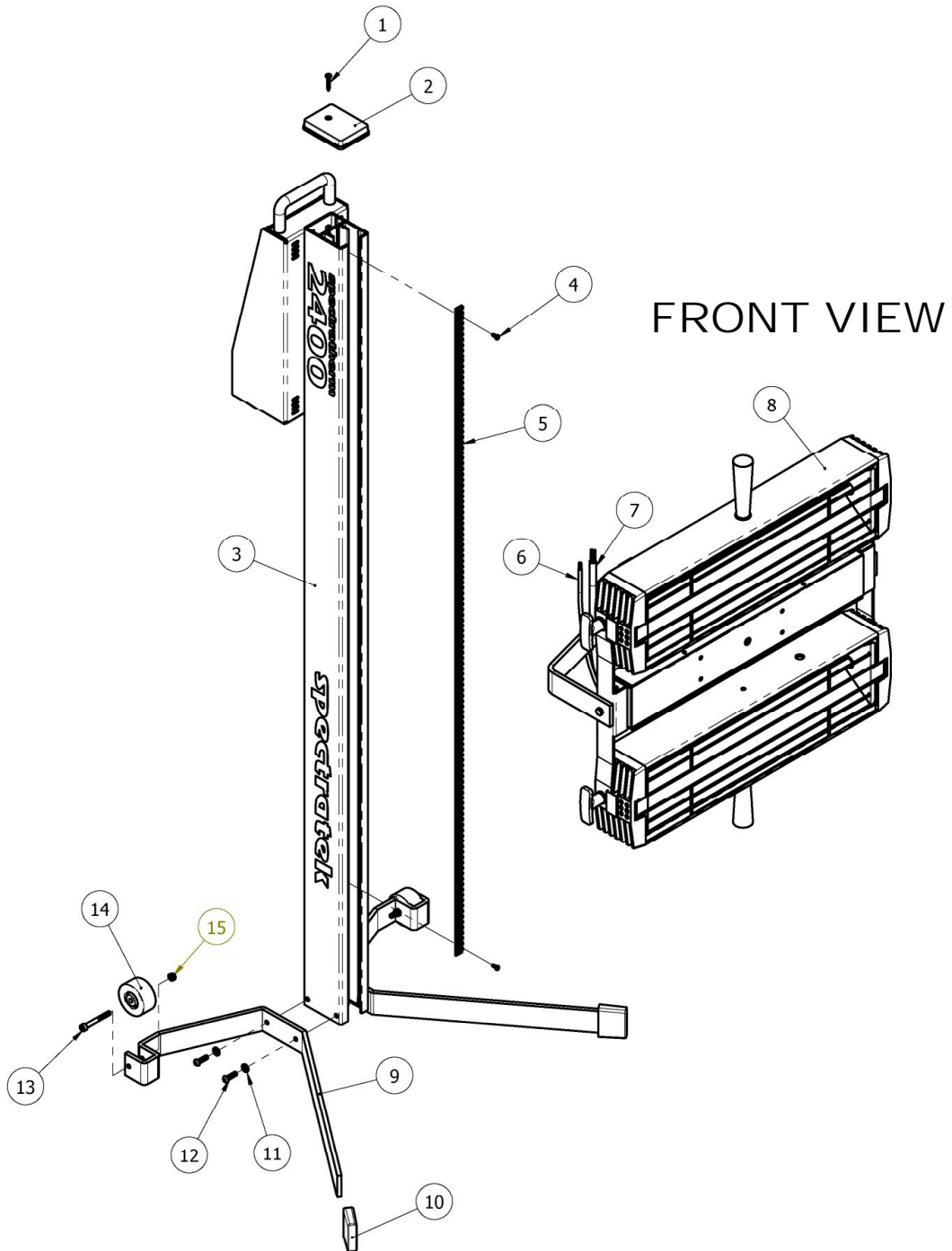
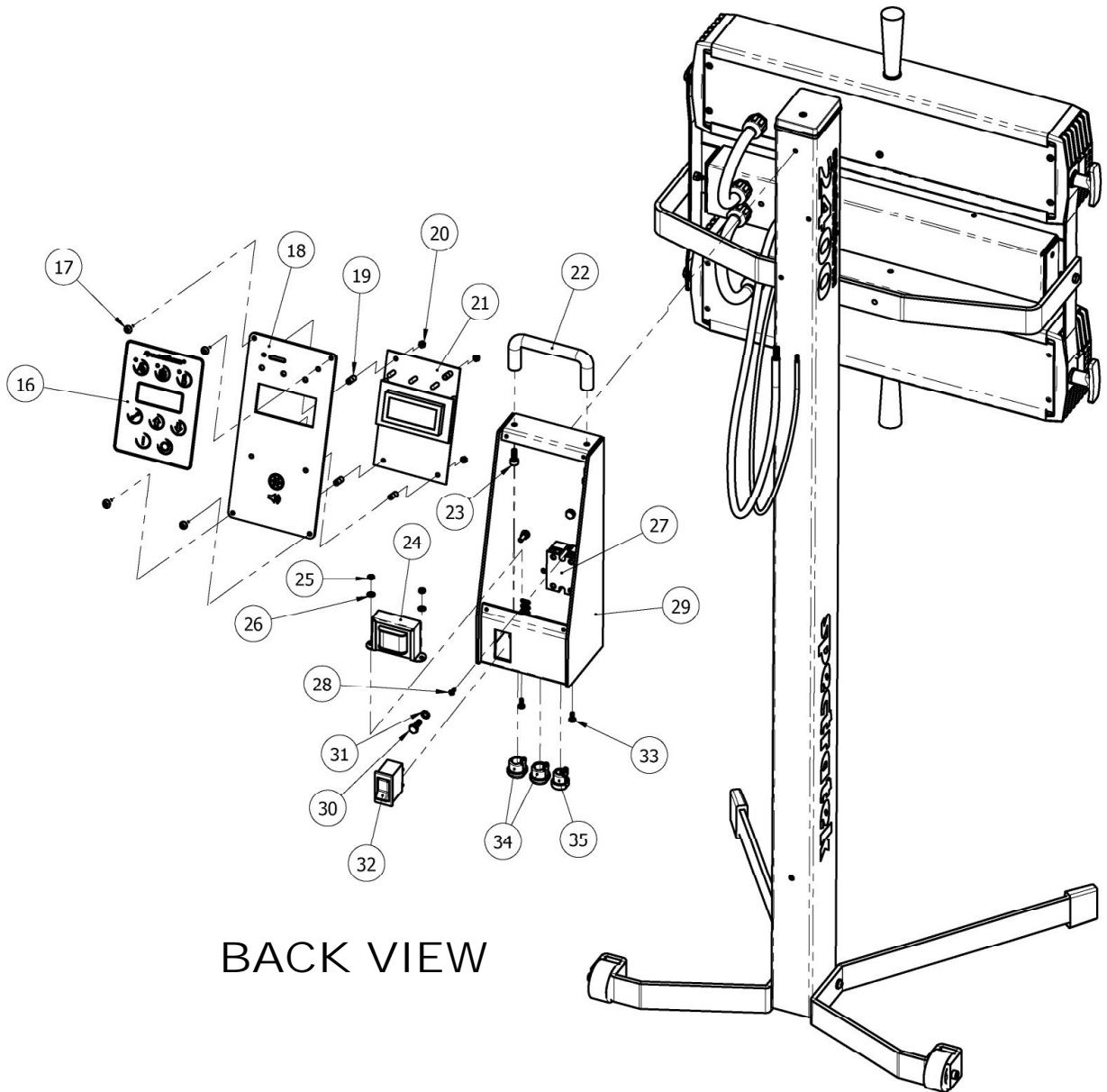


Exploded Views

Spectratherm 2400S Model – 200/240V

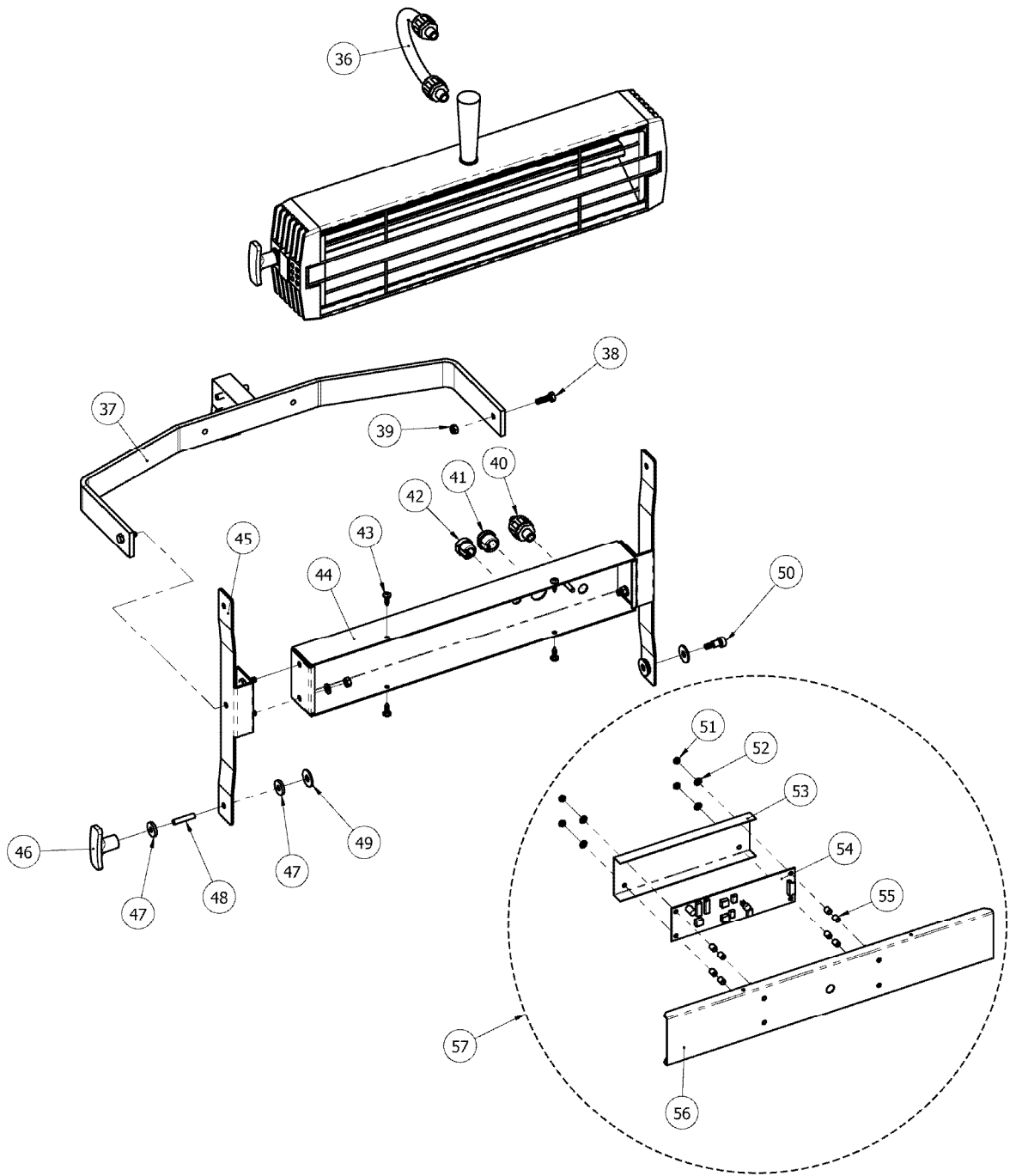


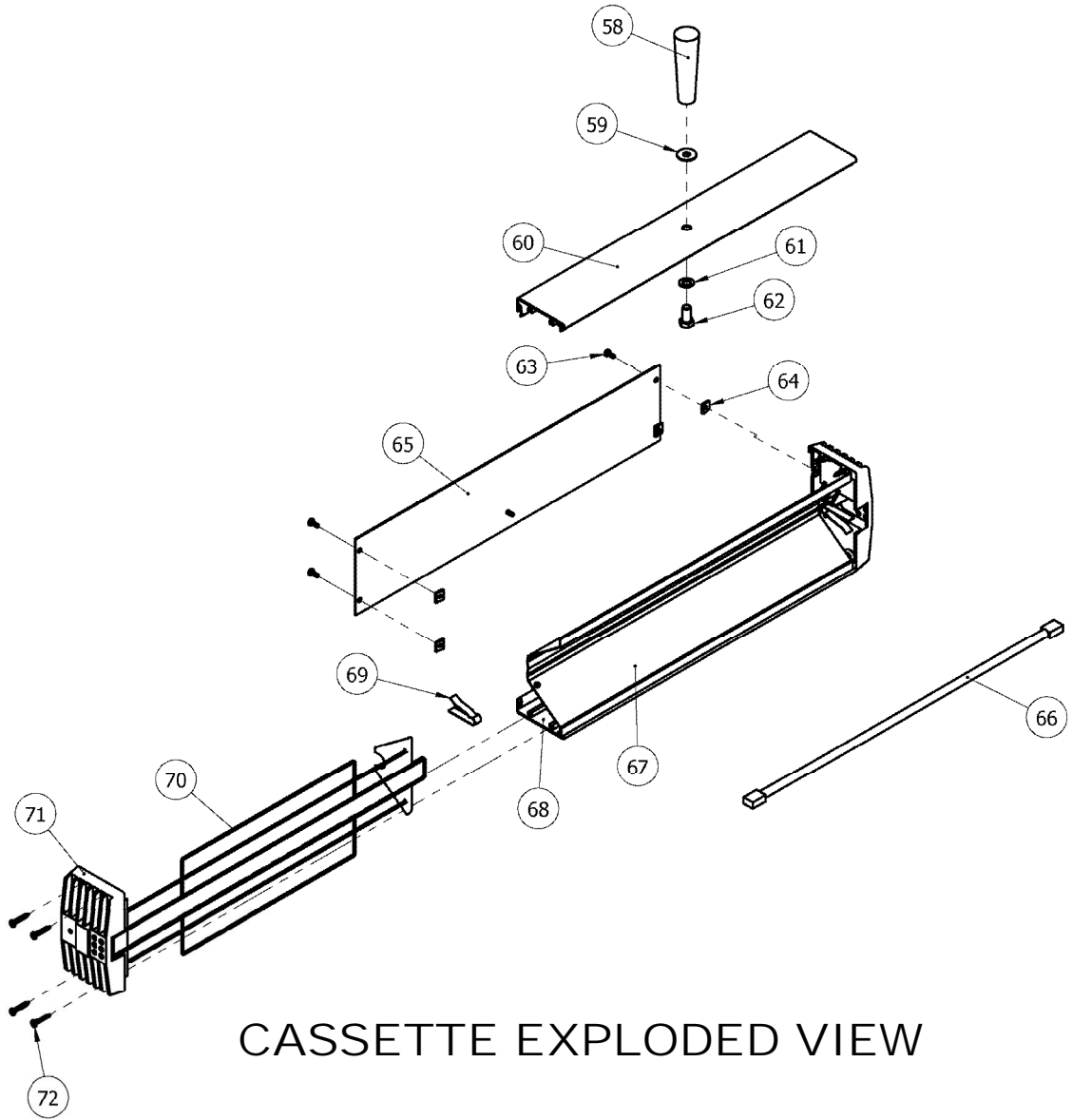
/////// spectratherm 2400S



BACK VIEW

/////// spectratherm 2400S





CASSETTE EXPLODED VIEW

ITEM	NO. REFERENCE	DESCRIPTION	QTY
1	08.149.08.16	TAPPING SCREW 8 x 1 PHILLIPS PAN HEAD	1
2	09.125.05.60	COLUMN TOP COVER	1
3	12.500.00.02S	COLUMN	1
4	08.146.07.06	TAPPING SCREW 1/8 x 3/8 LONG	2
5	09.125.05.56	TIMMING BELT	1
6	01.150.00.58	SENSOR CABLE 22/8C	1
7	01.150.00.41	POWER CABLE 16/3	2
8	12.500.00.27	HEAD ASSEMBLY SPT2400S	1
9	12.100.01.03	COLUMN FEET	2
10	09.125.04.76	END RUBBER FEET	2
11	08.142.01.09B	LOCK WASHER 1/4"	4
12	08.141.06.09	BUTTON HEAD CAP SCREW M6 x 20 ZINC	4
13	08.141.06.51	SOCKET HEAD SCREW M6 x 1 x 50	2
14	21.167.00.04	WHEEL 2" x 3/4	2
15	08.141.06.04	HEX NUT M6 x 1.0	2
16	51.700.00.02	MEMBRANE SWITCH	1
17	08.149.08.06	ROUND HEAD SCREW PHILLIPS 4.8 x 16MM ZINC	4
18	12.200.11.12	BACK PANEL	1
19	09.125.04.60	NYLON SPACER #8	8
20	08.141.04.00	HEX NUT M4 x .7 ZINC	4
21	27.800.20.06	CONTROL CIRCUIT BOARD DIGITALE	1
22	09.125.01.41	HANDLE	1
23	08.141.06.17	ALLEN SOCKET HEAD CAP SCREW M6 x 16	2
24	07.123.00.00	TRANSFORMER	1
25	08.141.04.00	HEX NUT M4 x .7 ZINC	2
26	08.142.02.06	TOOTH WASHER #8 EXT	2
27	17.114.00.20	SSR RELAYG3NA	1
28	08.146.07.06	TAPPING SCREW 1/8 x 3/8 LONG	2
29	12.100.01.76	CONTROL BOX	1
30	08.141.06.16	HEX BOLT M6 x 1 x 16 LONG ZINC	3
31	08.142.02.09	TOOTH WASHER EXT 6MM ZINC	3
32	17.100.00.65	BREAKER ROCKER SWITCH 1PH 20A ETA	1
33	08.141.04.12	SCREW ROUND HEAD M4 x 10 PHILLIPS BLACK	2
34	09.125.04.27	STRAIN RELIEF #4 AWG	2

ITEM	NO. REFERENCE	DESCRIPTION	QTY
35	09.125.04.20	STRAIN RELIEF SR5M3	1
36	17.802.00.44	JUNCTION TUBE	2
37	12.200.01.10	CASSETTE HOLDER ASSEMBLY	1
38	08.141.06.20	HEX BOLT M6 x 1 x 20 LONG	2
39	08.141.06.04	HEX NUT M6 x 10	2
40	09.125.08.20	STRAIGHT CONNECTOR ¼ BLACK	2
41	09.125.04.27	STRAIN RELIEF #4 AWG	1
42	09.125.04.20	STRAIN RELIEF SR5M3	1
43	08.149.06.06	SCREW #8 x 1/4" PAN PHILLIPS HD TAPPG	4
44	12.100.01.73	U ROD TRANSVERSALE	1
45	12.100.01.70	HEAD LATERAL HOLDER	2
46	09.125.01.35	KNOB BLACK T	2
47	09.125.04.72	FLAT WASHER ¼ x ¾ x 0.125	8
48	08.141.06.33	THREADED STUD 6MM x 30 LONG	2
49	09.125.04.73	FLAT WASHER 5/16 x 7/8 x 0.062	6
50	08.155.06.10	BOLT SHOULDER M6 SH 8MM x 10 LONG	2
51	08.141.04.00	HEX NUT M4 x .7	4
52	08.142.02.06	TOOTH WASHER #8 EXT	4
53	12.100.00.72	SENSOR BOARD COVER	1
54	27.800.20.09	SENSOR CIRCUIT BOARD	1
55	09.125.04.60	NYLON SPACER #8	8
56	12.100.01.72	PLATE HOLDER SENSOR	1
57	27.800.21.18	SENSOR CIRCUIT BOARD ASSEMBLY SPT2400S	1
58	09.125.05.08	CASSETTE HOLDER	2
59	09.125.04.73	FLAT WASHER 5/16" x 7/8" x 0.062THK NYLON	2
60	12.100.01.02	CASSETTE HANDLE SIDE	2
61	08.142.01.11	LOCK WASHER 3/8	2
62	08.143.13.12	HEX BOLT 3/8"UNC x 3/4"	2
63	08.141.04.12	HEAD ROUND SCREW PHILLIPS M4 x 10 BLACK	10
64	08.142.09.10	NUT SPRING	8
65	12.200.10.17	CASSETTE BACK COVER	2
66	17.200.00.50	LIGHT TUBE 240V 1200W	2
67	12.200.01.20	REFLECTOR	2
68	12.100.01.15	CASSETTE INSIDE	2
69	12.200.00.10	LAMP SPRING	4
70	12.200.01.12	LAMP GRILL CHROMED PLATED	2
71	12.200.00.34	END CASTING	4
72	08.149.08.16	TAPPING SCREW 8 x 1 PHILLIPS PAN HEAD	16